



POSITIONING PADS

PADS STANDARD

Code	Description		Units
C06051	CYLINDER LONG	152mm diameter x 51mm long	EACH
C06052	TRIANGLE SMALL	102 x 102 x 178mm long	EACH
C06053	TRIANGLE LARGE	160 x 240 x 254mm long	EACH
C06054A	TRIANGLE LARGE	178 x 178 x 254mm long	EACH
C06054	WEDGE	76 x 178 x 254mm long	EACH
C06055	QUAD	51 x 178 x 254mm long	EACH
C06056	CYLINDER	178mm diameter x 305mm long	EACH
C06057	HEAD PAD	152 x 178 x 229mm long	EACH
C06058	BLACK LARGE	127 x 127 x 254mm long	EACH
C06059	TRIANGLE LARGE	160 x 160 x 457mm long	EACH
C06060	TRIANGLE	127 x 127 x 254mm long	EACH
C06061	SHAPED	127 x 152 x 200mm	EACH
C06062	FINGER BLOCK STEPPED	130 x 57 x 147mm	EACH
C06062A	TRIANGLE	140 x 100 x 170mm long	EACH
C06063	SKULL BLOCK	240 x 80 x 280mm long	EACH
C06064	SET OF PADS	see below	EACH
C06065C	TRANS VAGINAL PAD	100 x 450 x 500mm long	EACH
C06047	PAEDIATRIC IMMOBILISER PAD		EACH

SET OF PADS

Code	Description		Units
C06051	CYLINDER LONG	152mm diameter x 51mm long	1
C06052	TRIANGLE SMALL	102 x 102 x 178mm long	2
C06053	TRIANGLE LARGE	160 x 240 x 254mm long	2
C06054a	TRIANGLE LARGE	178 x 178 x 254mm long	1
C06054	WEDGE	76 x 178 x 254mm long	2
C06055	QUAD	51 x 178 x 254mm long	2
C06058	BLACK LARGE	127 x 127 x 254mm long	1
C06059	TRIANGLE LARGE	160 x 160 x 457mm long	1
C06062	FINGER BLOCK STEPPED	130 x 54 x 147mm	1
	TOTAL PADS PER SET		13

ALL POSITIONING PADS ARE AVAILABLE IN:

WASHABLE FOAM

STANDARD GREY FOAM

VINYL COVERED WATERPROOF FOAM

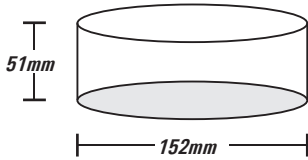
CUSTOMISED PADS CAN BE MADE ON REQUEST



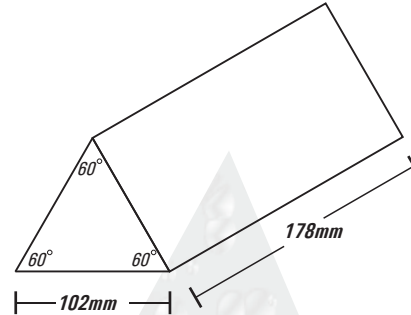
POSITIONING PADS

PADS STANDARD

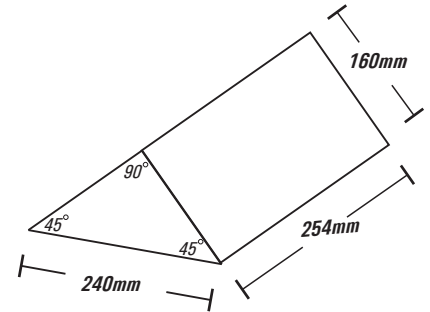
C06051
CYLINDER LONG
152mm diameter x 51mm long



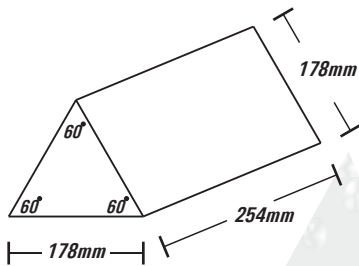
C06052
TRIANGLE SMALL
102 x 102 x 178mm long



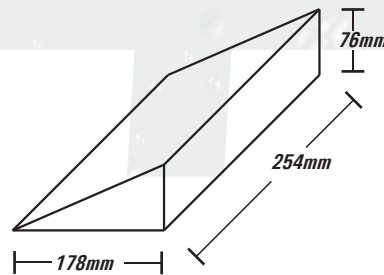
C06053
TRIANGLE LARGE
160 x 240 x 254mm long



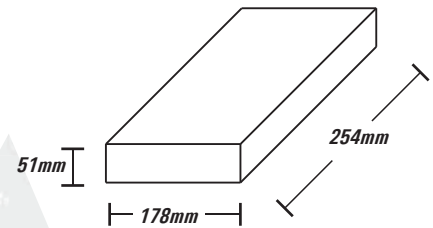
C06054a
TRIANGLE LARGE
178 x 178 x 254mm long



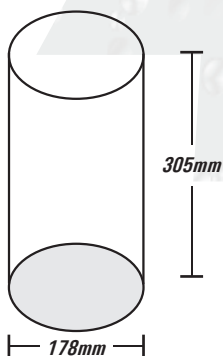
C06054
WEDGE
76 x 178 x 254mm long



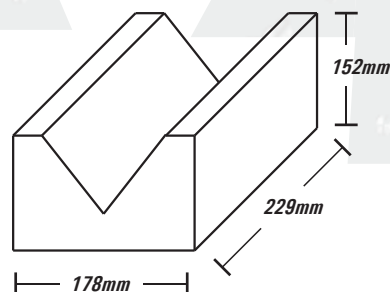
C06055
QUAD
51 x 178 x 254mm long



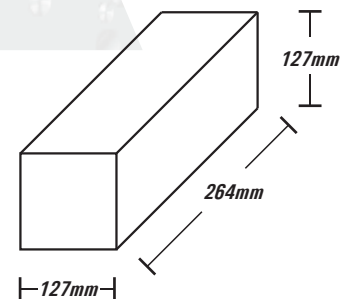
C06056
CYLINDER
178mm diameter x 305mm long



C06057
HEAD PAD
152 x 178 x 229mm long



C06058
BLOCK LARGE
127 x 127 x 254mm long



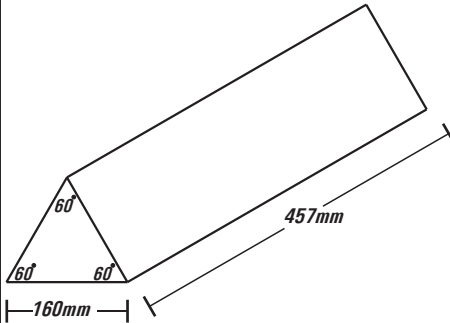
ALL POSITIONING PADS ARE AVAILABLE IN:
WASHABLE FOAM
STANDARD GREY FOAM
VINYL COVERED WATERPROOF FOAM



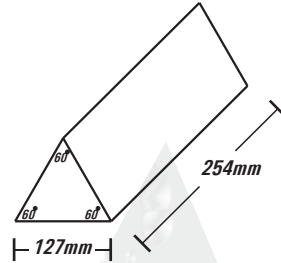
POSITIONING PADS

PADS STANDARD

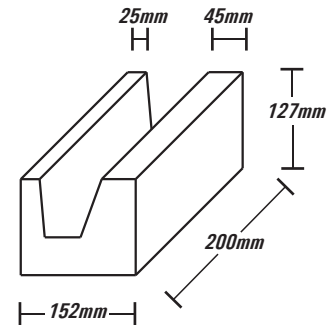
C06059
TRIANGLE LARGE
160 x 160 x 457mm long



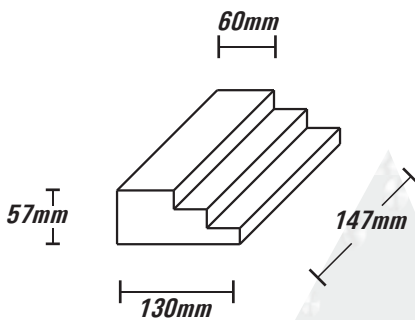
C06060
TRIANGLE
127 x 127 x 254mm long



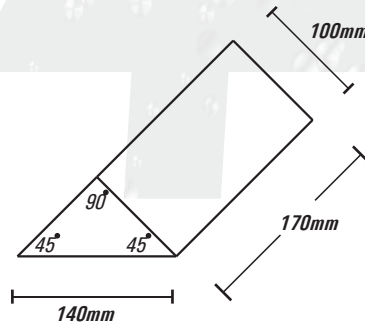
C06061
SHAPED
127 x 152 x 200mm



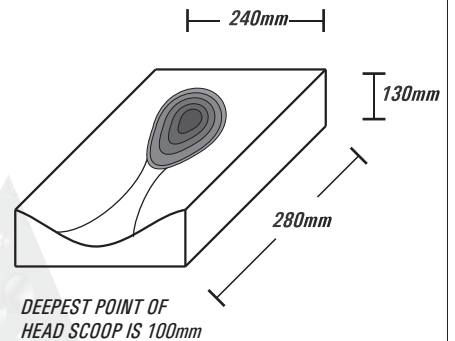
C06062
FINGER BLOCK STEPPED
130 x 57 x 147mm



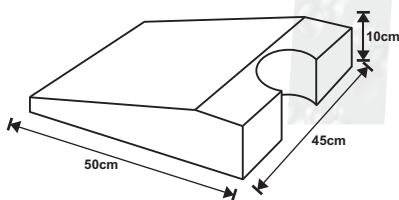
C06062a
TRIANGLE
140 x 100 x 170mm long



C06063
SKULL BLOCK
240 x 80 x 280mm long



C06065c
TV PAD
450 x 500 x 100mm



ALL POSITIONING PADS ARE AVAILABLE IN:
WASHABLE FOAM
STANDARD GREY FOAM
VINYL COVERED WATERPROOF FOAM

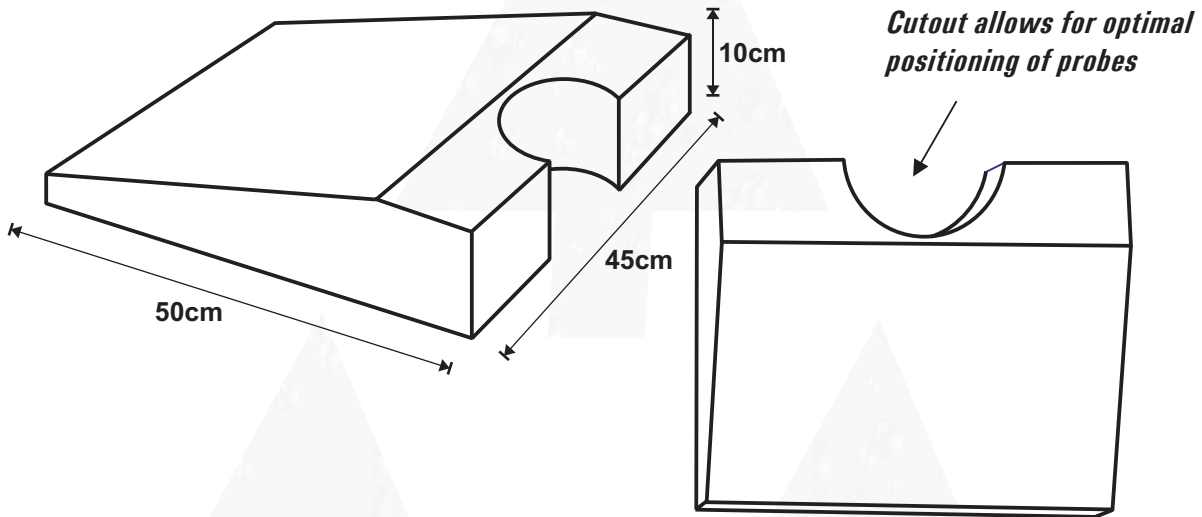


for
support
& *comfort*

during trans-vaginal ultrasound procedures



T.V. Positioning Pads



***Sculpted, high density foam
designed specifically for TV procedures***

Covered in waterproof, antifungal, vinyl cover

Code # C06065C

**ALL POSITIONING PADS ARE AVAILABLE IN:
WASHABLE FOAM
STANDARD GREY FOAM
VINYL COVERED WATERPROOF FOAM**